

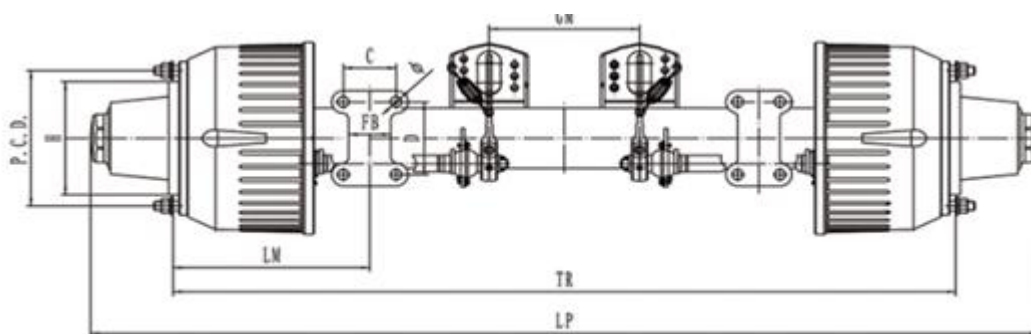
Beijing Jun Kai Xiang International Trade Co.,Ltd

Germanic Axle Catalogue

Tel: 0086-10-57110197 What's App: 0086-13831989077

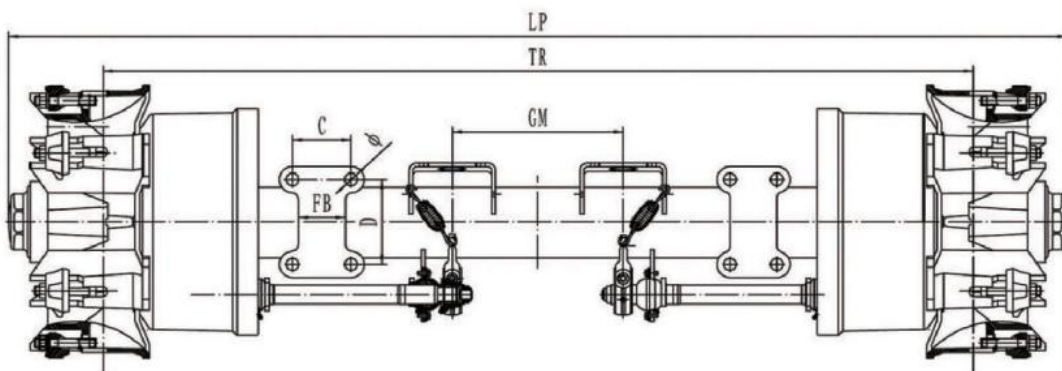
Email: helen@jkxbj.com

1, Germanic Axle



Type	105km/h Rated Load (kg)	"S"Cam Brake Series (mm)	Track TR (mm)	Spring Seat Installation LM(mm)	Axle Tube (mm)	Center Distance of Brake Chamber (mm)	Wheel Fixing			Total Length (mm)	Weight (KG)	Bearing
							Stud	P.C.D (mm)	H (mm)			
JKX12AY-011	12,000	420*180	1820	≤435	□127	402	10-M22* 1.5 ISO	335	281	2135	355	33213 33118
JKX12AF-012	12,000	420*180	1840	≤455	□150	422	10-M22* 1.5 ISO	335	281	2155	360	
JKX12AF-013	12,000	420*200	1840	≤455	□150	354	10-M22* 1.5 ISO	335	281	2155	373	
JKX12AF-014	12,000	420*180	2040	≤455	□150	622	8-M20*1. 5 JIS	285	221	2355	375	
JKX14AF-015	14,000	420*200	1840	≤455	□150	354	10-M22* 1.5 ISO	335	281	2185	410	33215 32219
JKX14AF-016	14,000	420*220	1840	≤455	□150	354	10-M22* 1.5 ISO	335	281	2185	415	
JKX16AF-017	16,000	420*200	1850	≤455	□150	356	10-M22* 1.5 ISO	335	281	2240	442	32314 32222
JKX16AF-018	16,000	420*220	1850	≤455	□150	376	10-M22* 1.5 ISO	335	281	2240	455	
JKX18AF-019	16,000	420*220	1850	≤455	□150	376	10-M22* 1.5 ISO	335	281	2240	475	
JKX18AF-20	18,000	420*220	1850	≤455	□150	376	10-M22* 1.5 ISO	335	281	2240	475	

2, Six Spoke Axle



Axle Type	105km /h Rated Load (kg)	"S" Cam Brake Series (mm)	Track TR (mm)	Spring Seat Installation LM(mm)	Axle Tube (mm)	Center Distance Of Brake Chamber (mm)	Wheel Fixing		Total Lengt h (mm)	Weight (Kg)	Bearing
							Studs	Recommended Wheel			
JKX12LF-24	12,000	420*200	1820	≤455	□150	356	6-M20*2 ISO	8.5-24	2130	405	33213 33118
JKX14LF-24	14,000	420*200	1840	≤455	□150	357	6-M20*2 ISO	8.5-24	2165	440	33215 32219
JKX16LF-24	16,000	420*200	1850	≤455	□150	372	6-M20*2 ISO	8.5-24	2255	470	32314 32222
JKX6LF-20	16,000	420*200	1850	≤455	□150	372	6-M20*2 ISO	8.5-20	2255	445	32314 32222